

Model **2641 PALERMO** Manual - Push back

Carcass Spruce, chipboard and multilayer panels

Springing Polypropylene and natural elastic belts on back and rings on seats

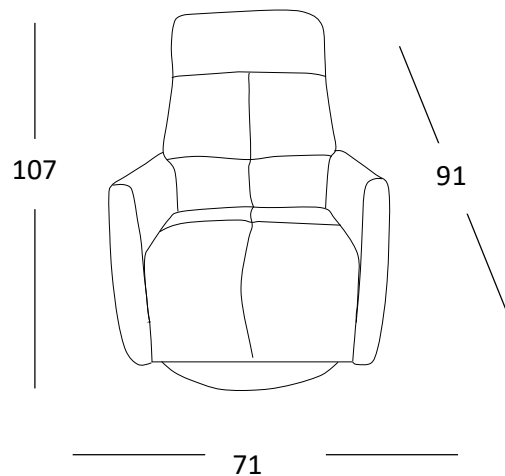
Seat cushions Stress-resistant polyurethane VITA foam (density 3535) covered with Dacron hollow soft polyester fibre

Back cushions Stress-resistant polyurethane VITA foam (density 2520) covered with Dacron hollow soft polyester fibre

Arms Stress-resistant polyurethane VITA foam (density 3535) covered with Dacron hollow soft polyester fibre

Swivel base

Code 36 Recliner chair



Depth + Seat Height

